



LED FLOOD LIGHTS

Luminaires Offering **Multiple Beam Angles**
to Fill Large Areas with **Uniform Lighting**

www.ikioledlighting.com

About IKIO

IKIO, over the years, has emerged as a leading LED lighting manufacturer in the US, persistently delivering some of the most unique & innovative LED lighting solutions. Our continuous effort to update ourselves with the latest technology and align our processes to the changing market demand has made IKIO what we are today.

Additionally, the fully integrated manufacturing set-up allows us to consistently create next-generation LED lighting products, giving us a leg-up over our competitors.

IKIO Your Trusted & Reliable Partner! Why?



One-stop Destination

Offering complete lighting solutions for application in Commercial, Industrial, Educational, Sports, Retail and Hazardous locations.



In-house Manufacturing Units

Six ultra-modern, vertically-integrated manufacturing set-ups delivering over 10 million fixtures annually.



Constant Research & Development

Conducting thorough research to comprehend market dynamics and developing solutions accordingly.



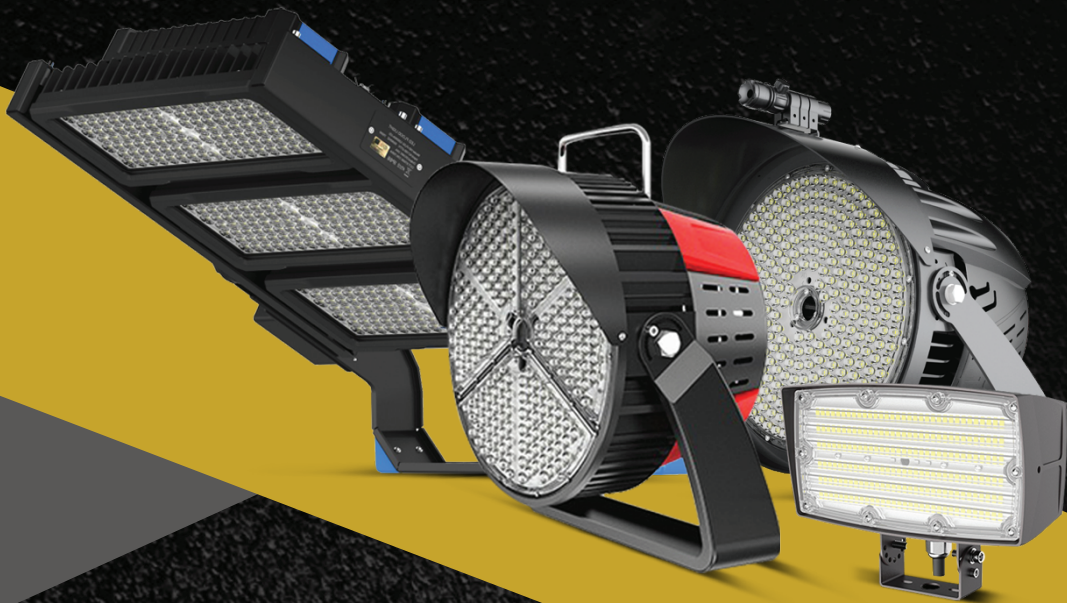
Thorough Customer Support

From free photometrics to quick delivery to efficient installation services, doing everything to serve our customers right.

Flood Lights! Why & Where?

Proper illumination in expansive spaces is crucial to enable uniform lighting and clearer visibility. High-powered LED Flood Lights with their wide-beam angles perfectly cater to this lighting requirement. These Lights are offered in different powers, lumens, & beam angles depending on the places of application. From huge stadiums to large ports & architectural buildings to monuments, flood lights are strategically designed to fill all of these areas with quality lighting.

Flood Lights That IKIO Offers



Stadium
Flood Lights



Architectural
Flood Lights



Stadium Flood Lights

When it comes to lighting an expansive space such as a baseball or soccer stadium or a tennis court, our Stadium Flood Lights are unsurpassed in the industry. With sturdy aluminum housing and precision reflectors in place, these fixtures allow maximum output even in the harshest conditions. All our products are fully retrofittable with extra parts being provided on specific requests.

Configured with integrated or remote drivers, our system design uses **adjustable deep-set beam angle and multi-faceted optics** to maximize field coverage. This results in excellent fly ball visibility without the use of up lights and without any glare.

DYNAMO3

STADIUM FLOOD LIGHT



Electrical

Power	300 W 400 W 500 W 600 W
Voltage	100-277 V (also available with 240 - 480 V input)
Power Factor	≥ 0.90

Lighting Performance

Lumens	45000 lm 60000 lm 75000 lm 90000 lm
Efficacy	150 lm/W
Color Temperature (CCT)	3000 K 4000 K 5000 K
Color Rendering (CRI)	70+
Beam Angle	30°
BUG Rating (Backlight, Uplight, and Glare)	B5 - U1 - G1
Dimmable Lighting Control	0-10 V Dimmable

Environment

Operating Temperature	-22 °F ~ +122 °F
Suitable Location	WET
Ingress Protection Rating (IP)	IP66

Lifespan

Average Life (Hours)	100,000
Warranty (Years)	10

Components

LED Light Source	Luxeon 5050
Driver	Inventronics

Construction

Housing	Die Cast Aluminum
Lens	Polycarbonate
Base / Power Supply	Hard Wire
Finish	Black

Application Areas

Arenas, Gymnasiums, Plazas, Airports, Courtyards, Stadiums.

Qualifications and Certifications

Qualified Part Number	IK-SLEL2 (Only 500 W is DLC listed)
-----------------------	-------------------------------------



DesignLights Consortium® (DLC) Premium qualified product. Not all versions of this product may be DLC qualified. Please check the DLC Qualified Products List at www.designlights.org/QPL to confirm which versions are qualified.

*Specifications, Warranty, and Qualifications can vary per item/SKU. See technical data sheets (TDS) for specific information.

CHROMIX®

RGBW STADIUM FLOOD LIGHT



Electrical

Power	300 W 400 W 500 W 600 W
Voltage	100-277 V (Also available with 240 - 480 V input)
Power Factor	≥ 0.90

Lighting Performance

Color	Red Green Blue White
Color Rendering (CRI)	70+
Beam Angle	30°
BUG Rating (Backlight, Uplight, and Glare)	B5 - U1 - G1
Dimmable Lighting Control	0-10 V Dimmable

Environment

Operating Temperature	-22 °F ~ +122 °F
Suitable Location	WET
Ingress Protection Rating (IP)	IP66

Lifespan

Average Life (Hours)	100,000
Warranty (Years)	10

Components

LED Light Source	Luxeon 5050
Driver	Inventronics

Construction

Housing	Die Cast Aluminum
Lens	Polycarbonate
Base / Power Supply	Hard Wire
Finish	Black

Application Areas

Arenas, Gymnasiums, Plazas, Airports, Courtyards, Stadiums.

*Specifications, Warranty, and Qualifications can vary per item/SKU. See technical data sheets (TDS) for specific information.

Important Safeguards

**PLEASE FIND A QUALIFIED ELECTRICIAN FOR INSTALLATION.
PLEASE READ THE INSTRUCTIONS BEFORE YOU INSTALL AND USE THE LUMINAIRE.**

GENERAL: ALL ELECTRICAL CONNECTIONS MUST BE IN ACCORDANCE WITH LOCAL AND NATIONAL ELECTRICAL CODE (N.E.C.) STANDARDS. IF YOU ARE UNFAMILIAR WITH PROPER ELECTRICAL WIRING CONNECTIONS OBTAIN THE SERVICES OF A QUALIFIED ELECTRICIAN. REMOVE THE TRIM FROM THE BOX AND MAKE SURE THAT NO PARTS ARE MISSING.

WARNING - Risk of fire or electric shock. Installation requires knowledge of luminaire's electrical systems. If not qualified, do not attempt installation. Contact a qualified electrician.

WARNING - Risk of fire or electric shock. Install luminaires that have the construction features and dimensions shown in the photographs and/or drawings and where the input rating of the does not exceed the input rating of the luminaire. Do not make or alter any open holes in an enclosure of wiring or electrical components during installation.

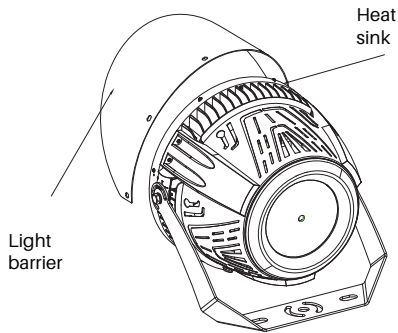
WARNING- To prevent wiring damage or abrasion, do not expose wiring to edges of sheet metal or other sharp objects.

Risk of Electric Shock: Disconnect power or circuit breaker before installing or servicing.

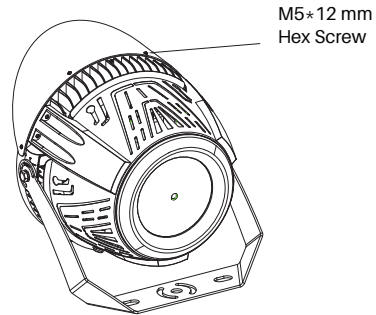
Before installation, please check if the local voltage range is in correspondence with the working voltage of the fixture. If the fixture is damaged, it should be replaced by the supplier, a service agent or a qualified person.

WARNING: DISCONNECT POWER BEFORE INSTALLING OR SERVICING.

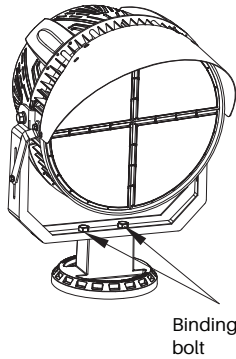
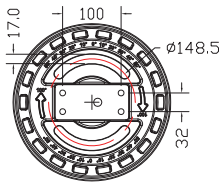
Installation instruction



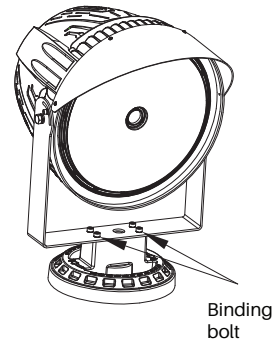
Put the light barrier on the lamp body

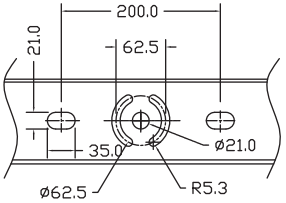


Use 5 pcs of M5x 12 mm Hex Screw to lock the light barrier on the lamp body

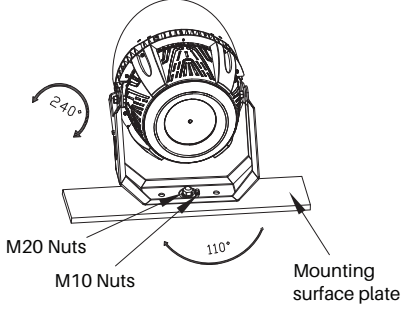


1. Put the fixture on the 3D rotating bracket base
2. Fix the screws



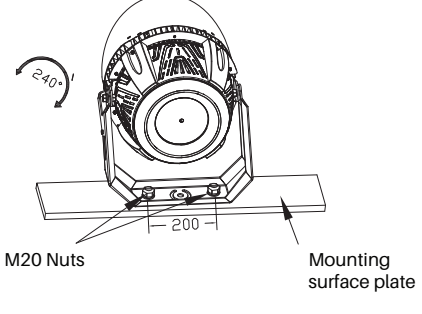


1st Installation methods



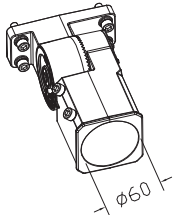
M20 Nuts
M10 Nuts
Mounting surface plate

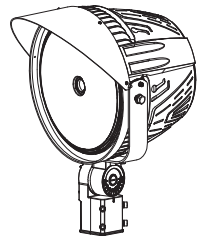
2nd Installation methods

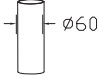


M20 Nuts
Mounting surface plate

1. Put the fixture on the install stand
2. Fix the fixture by M20 and M10 screws (not fully screwed)

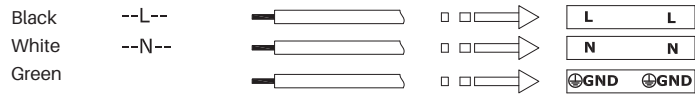






1. Fix the fixture on light pole
2. Fasten the screws

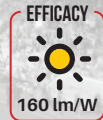
Wiring Diagram



Label

DYNAMO3 PRO

STADIUM FLOOD LIGHT



Electrical

Power	750 W 1000 W 1200 W
Voltage	100-277 V (also available with 240 - 480 V input)
Power Factor	0.95

Lighting Performance

Lumens	120000 lm 160000 lm 200000 lm
Efficacy	160 lm/W
Color Temperature (CCT)	5000 K
Color Rendering (CRI)	90
Beam Angle	30°
Dimmable Lighting Control	Continuous Dimming to 10% or below

Environment

Operating Temperature	-40 °F ~ +122 °F
Suitable Location	WET
Ingress Protection Rating (IP)	IP66

Lifespan

Average Life (Hours)	100,000
Warranty (Years)	10

Components

LED Light Source	Luxeon 5050
Driver	Inventronics / Meanwell

Construction

Housing	Cold Forging Aluminum
Lens	Anti-UV PC Optical Material
Finish	Black

Application Areas

Sports Facilities, Stadiums, Container Loading Areas, Shipping Yards, Airports, Ports.

*Specifications, Warranty, and Qualifications can vary per item/SKU. See technical data sheets (TDS) for specific information.

Important Safeguards

PLEASE FIND A QUALIFIED ELECTRICIAN FOR INSTALLATION.

PLEASE READ THE INSTRUCTIONS BEFORE YOU INSTALL AND USE THE LUMINAIRE.

GENERAL: ALL ELECTRICAL CONNECTIONS MUST BE IN ACCORDANCE WITH LOCAL AND NATIONAL ELECTRICAL CODE (N.E.C.) STANDARDS. IF YOU ARE UNFAMILIAR WITH PROPER ELECTRICAL WIRING CONNECTIONS OBTAIN THE SERVICES OF A QUALIFIED ELECTRICIAN. REMOVE THE TRIM FROM THE BOX AND MAKE SURE THAT NO PARTS ARE MISSING.

WARNING - Risk of fire or electric shock. Installation requires knowledge of luminaire's electrical systems. If not qualified, do not attempt installation. Contact a qualified electrician.

WARNING - Risk of fire or electric shock. Install luminaires that have the construction features and dimensions shown in the photographs and/or drawings and where the input rating of the does not exceed the input rating of the luminaire. Do not make or alter any open holes in an enclosure of wiring or electrical components during installation.

WARNING- To prevent wiring damage or abrasion, do not expose wiring to edges of sheet metal or other sharp objects .

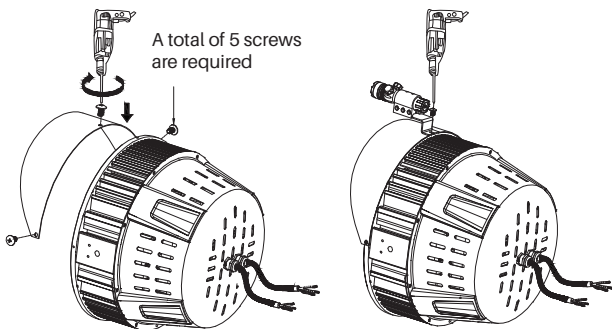
Risk of Electric Shock: Disconnect power or circuit breaker before installing or servicing.

Before installation, please check if the local voltage range is in correspondence with the working voltage of the fixture. If the fixture is damaged, it should be replaced by the supplier, a service agent or a qualified person.

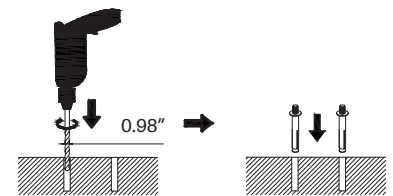
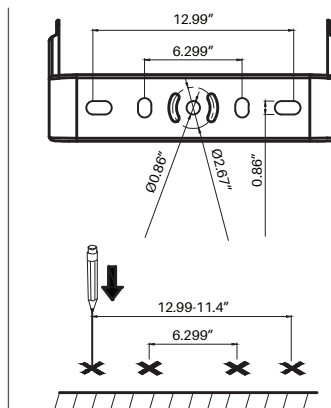


WARNING: DISCONNECT POWER BEFORE INSTALLING OR SERVICING.

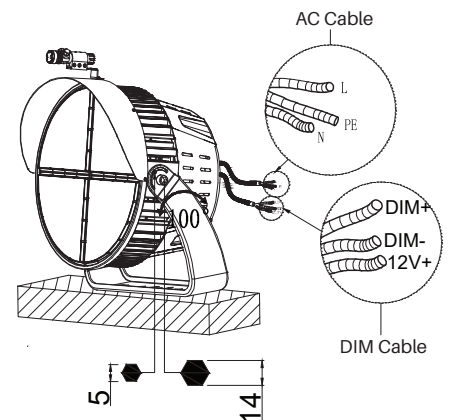
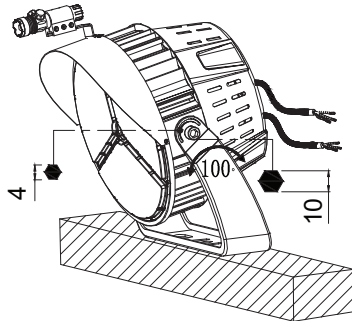
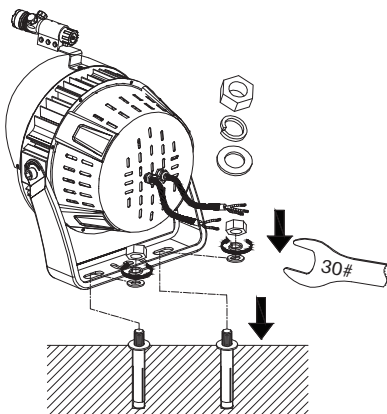
Installation instruction



1. Take the Visor from the box, align the mounting holes with the luminaire.
2. Take the Screw, fit visor (M4 screw Torque Values 2.5 N.m).



1. Drill holes at the marked points with a 0.98" diameter electric drill bit.
2. Insert the M20 explosive bolt into the hole.



1. Insert the strip holes at the bottom of the u-shaped metal frame of the lamp body into the ground bolts.
2. Ordinal with metal flat washers, spring washers and M20 nut will the lamp body is fixed on the ground. (M20 screw Torque Values 200 N.m).
3. Could be installed with one screw.
4. Loosen M16 hexagon head screw with wrench, adjust luminaire to designed angle (0-100°) tighten screws and fix the luminaire (M16 screw Torque Values 114 N.m).
5. Take the Screw, fit visor (M6 screw Torque Values 3.5 N.m).

CAPELLA®

STADIUM FLOOD LIGHT



Electrical

Power	250 W 500 W 750 W 1000 W 1250 W
Voltage	100-277 V
Power Factor	≥ 0.95

Lighting Performance

Lumens	32500 lm 75000 lm 112500 lm 150000 lm 187500 lm
Efficacy	150 lm/W
Color Temperature (CCT)	5000 K
Color Rendering (CRI)	74.4
Beam Angle	30°
Dimmable Lighting Control	Non Dimmable

Environment

Operating Temperature	-22 °F ~ +122 °F
Suitable Location	WET
Ingress Protection Rating (IP)	IP66

Lifespan

Average Life (Hours)	100,000
Warranty (Years)	10

Components

LED Light Source	Lumileds
Driver	Meanwell

Construction

Housing	Die-cast aluminum
Lens	PC
Base / Power Supply	Hard Wire
Finish	Black

Application Areas

Arenas, Gymnasiums, Plazas, Airports, Courtyards, Stadiums.

*Specifications, Warranty, and Qualifications can vary per item/SKU. See technical data sheets (TDS) for specific information.

Important Safeguards

**PLEASE FIND A QUALIFIED ELECTRICIAN FOR INSTALLATION.
PLEASE READ THE INSTRUCTIONS BEFORE YOU INSTALL AND USE THE LUMINAIRE.**

GENERAL: ALL ELECTRICAL CONNECTIONS MUST BE IN ACCORDANCE WITH LOCAL AND NATIONAL ELECTRICAL CODE (N.E.C.) STANDARDS. IF YOU ARE UNFAMILIAR WITH PROPER ELECTRICAL WIRING CONNECTIONS OBTAIN THE SERVICES OF A QUALIFIED ELECTRICIAN. REMOVE THE TRIM FROM THE BOX AND MAKE SURE THAT NO PARTS ARE MISSING.

WARNING - Risk of fire or electric shock. Installation requires knowledge of luminaire's electrical systems. If not qualified, do not attempt installation. Contact a qualified electrician.

WARNING - Risk of fire or electric shock. Install luminaires that have the construction features and dimensions shown in the photographs and/or drawings and where the input rating of the does not exceed the input rating of the luminaire. Do not make or alter any open holes in an enclosure of wiring or electrical components during installation.

WARNING- To prevent wiring damage or abrasion, do not expose wiring to edges of sheet metal or other sharp objects .

Risk of Electric Shock: Disconnect power or circuit breaker before installing or servicing.

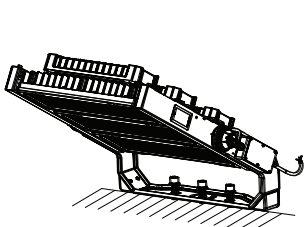
Before installation, please check if the local voltage range is in correspondence with the working voltage of the fixture. If the fixture is damaged, it should be replaced by the supplier, a service agent or a qualified person.



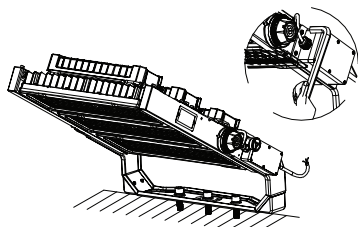
WARNING: DISCONNECT POWER BEFORE INSTALLING OR SERVICING.

Installation instruction

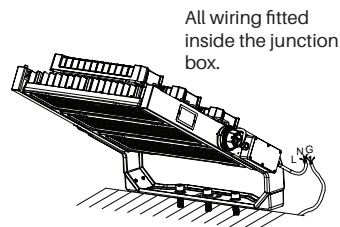
Installation Type 1



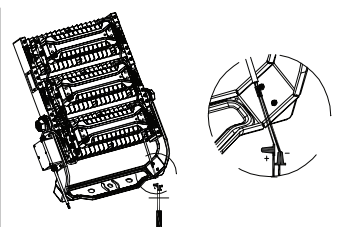
- 1 According to the size chart provided on the bracket, the corresponding hole position is opened. After fix the bracket with M20 screws.



- 2 Remove the M16 silicone plug, loosen the screw with an Allen key, and rotate to the appropriate mounting angle. After push the M16 silicone plug.

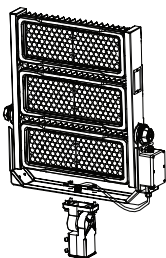


- 3 Wiring, distinguishing between positive and negative poles and grounding wire.

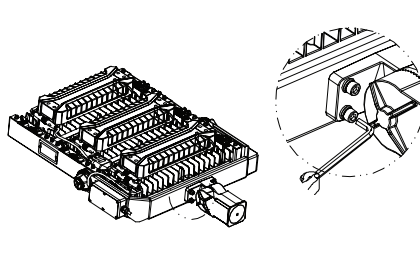


- 4 If dimming is required, Take down the cable casing when using the dimming function and connect the dimming cables according to the line mark.

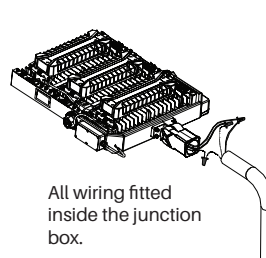
Installation Type 2



- 1 Pass the AC wire through the lamp hold.



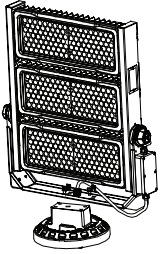
- 2 Fix the lamp head on the straight arm bracket with M8 screws and tighten.



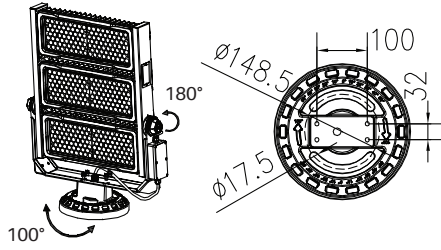
All wiring fitted inside the junction box.

- 3 Wiring, distinguishing between positive and negative poles and grounding wire. Confirm the installation OK. Adjust the appropriate angle. The single module can rotate at an angle of $\pm 30^\circ$.

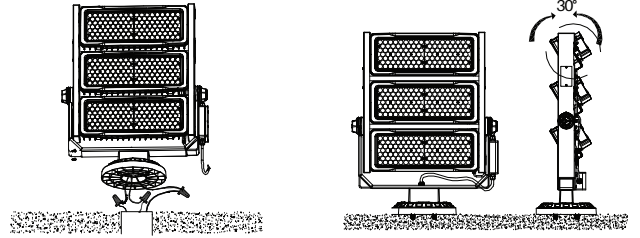
■ Installation Type 3



- 1 Remove the three-dimensional rotating base and fix it on the straight arm bracket with M8 screws.

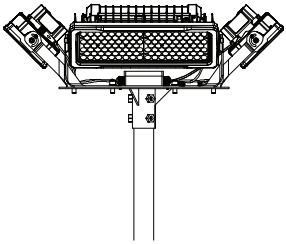


- 2 Fix the lamp according to the hole opening shown in the drawing.

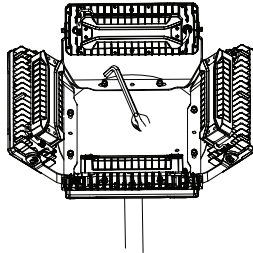


- 3 Wiring, distinguishing between positive and negative poles and grounding wire. Confirm the installation OK. Adjust the appropriate angle. The single module can rotate at an angle of $\pm 30^\circ$.

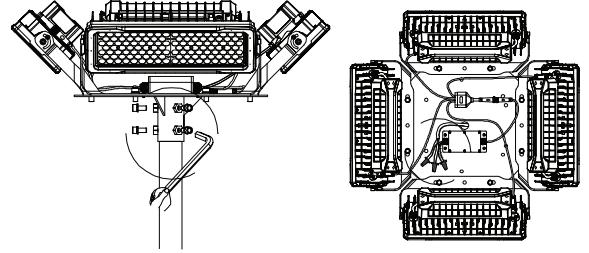
■ Installation Type 4



- 1 Put a single module on the micro light stand and fix it with screws.



- 2 Fix the micro bracket and use the M12 for the single module Screw fixing, tightening.



- 3 Tighten the 6 screws on the lamp holder and fix them on the pole.



Architectural Flood Lights

Other than stadiums, flood lights are also used for landscape lighting and security lighting in architectural buildings or monuments, large lawns and walkways. Moreover, they are also used on large billboards to enable better visibility of displayed advertisements.

This range of IKIO's flood lights **combine design and performance** in a complete value package. With its **acid & salt erosion resistant coating, superior heat management capability, and waterproof design**, these lighting fixtures render maximum output even in the harshest environmental conditions.

NOVUS[®]

ARCHITECTURAL FLOOD LIGHT



CCT & Power Selectable

Electrical

Power	15 W-30 W-55 W
Voltage	120-277 V, AC
Power Factor	≥ 0.95

Lighting Performance

Lumens	1950 lm- 3900 lm-7150 lm
Efficacy	130 lm/W
Color Temperature (CCT)	3000 K-4000 K-5000 K
Color Rendering (CRI)	>70
Beam Angle	30°
Light Distribution	NA
Dimmable Lighting Control	0-10 V Dimmable

Environment

Operating Temperature	-22 °F ~ +113 °F
Suitable Location	WET
Ingress Protection Rating (IP)	IP66
Impact Protection Rating (IK)	IK08

Lifespan

Average Life (Hours)	50,000
Warranty (Years)	5

Components

LED Light Source	SMD LED
Driver	Becky

Construction

Housing	Die-Cast Aluminum
Cover Material / Lens	UV Stabilized Polycarbonate
Finish	Bronze

Application Areas

Wall Washing, Landscaping Lighting, Outdoor Advertising And Square Nocturnes.

*Specifications, Warranty, and Qualifications can vary per item/SKU. See technical data sheets (TDS) for specific information.

Important Safeguards

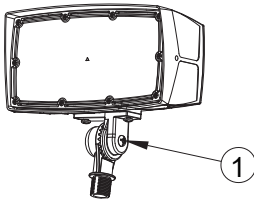
1. To avoid damage, falling, electric shock or fire, please do not modify the lamp or replace accessories without confirming with the supplier first.
2. Please authorize only qualified personnel to install the lamp and ensure they follow the instruction manual. Any improper installation might cause falling, electric shock, fire, or other injury, damage or hazard.
3. Please disconnect power before installation or any maintenance of the lamp.
4. Please disconnect power if it begins to smoke or emit odors, since fire or electric shock may occur. Ask a qualified person to inspect and maintain the luminaire.
5. Please do not dismantle the lamp without the supplier's authorization.
6. Please do not touch the power supply when the lamp is operating.
7. If the external flexible cable or cord of the luminaire is damaged, it should only be replaced by the supplier, a service agent or qualified person.
8. Terminal block not included. The electrical fitting must be installed by a licensed electrician.
9. The light source contained in this luminaire shall only be replaced by the manufacturer or his service agent or a similar qualified person.
10. Only to be installed outside arms reach.
11. For use in environments where an accumulation of non-conductive dust on the luminaire may be expected.

 **WARNING: DISCONNECT POWER BEFORE INSTALLING OR SERVICING.**

Installation instruction

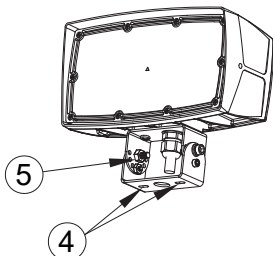
1. Knuckle Mount

1. Secure the fixture to a 1/2" NPT hole in the junction box.
2. Loosen the M5 bolt and adjust the installed angle as your request, and then tighten the M5 bolt. (Item ①).

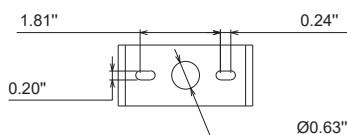


3. Trunnion Bracket

1. Use two M5 (15 W-55 W) diameter bolts for mounting (Item ④).
2. Loosen and remove the two M4 bolts, also please loosen the another two M6 bolts, adjust the angle as your request, and then tighten all the bolts. (Item ⑤).

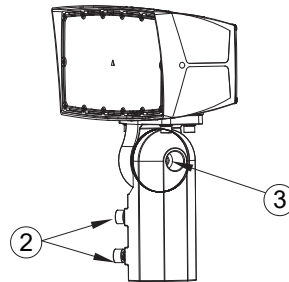


• 15 W-55 W



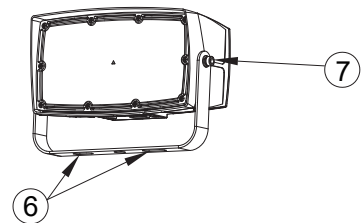
2. Slip Fitter Mount

1. Mount fixture on 2 3/8" tenon, tighten down 4 M8 set screws (Item ②).
2. Loosen the M10 recessed cup point bolt, adjust the angle as your request, and then tighten the M10 recessed cup point bolt (Item ③).

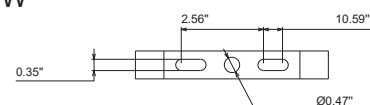


4. U Bracket

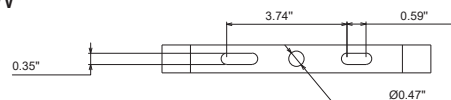
1. Use two M8 (15 W-55 W) diameter bolts for mounting (Item ⑥).
2. Loosen the M6 (15 W-55 W) recessed cup point bolts, adjust the angle as your request, and then tighten the M6 (15 W-55 W) recessed cup point bolt (Item ⑦).



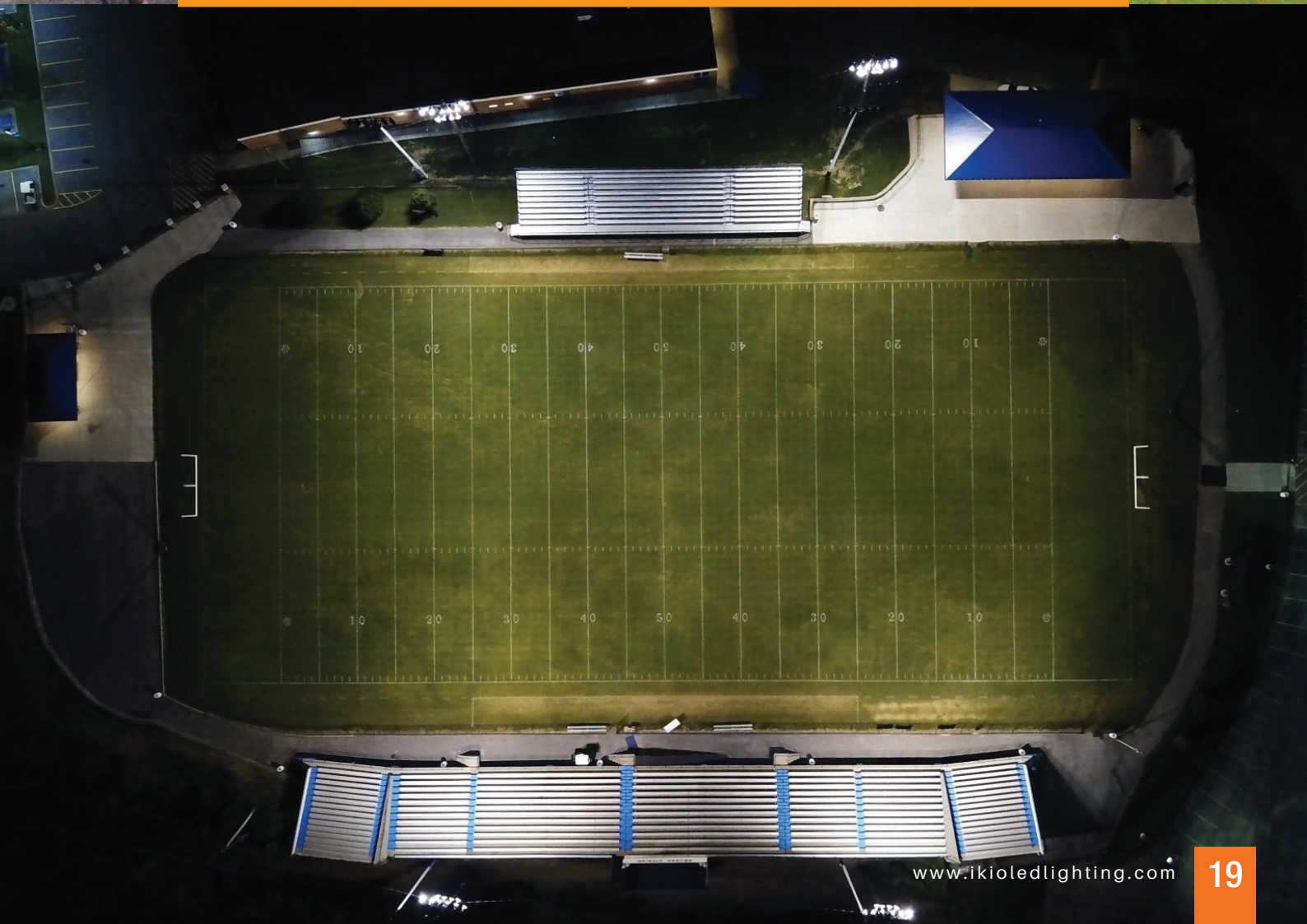
• 15 W-30 W



• 55 W









Scan To Explore Our
Exciting Product Range



(1) 844-533-4546 | info@ikioledlighting.com
8470 Allison Pointe Blvd, Suite 128 Indianapolis, IN 46250
www.ikioledlighting.com